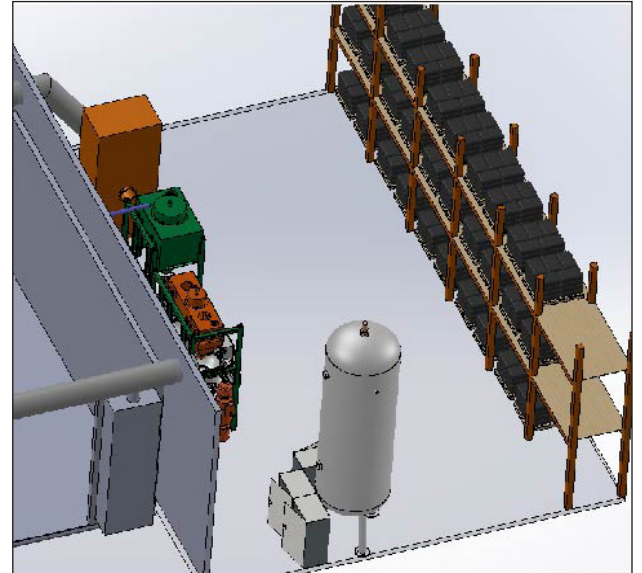
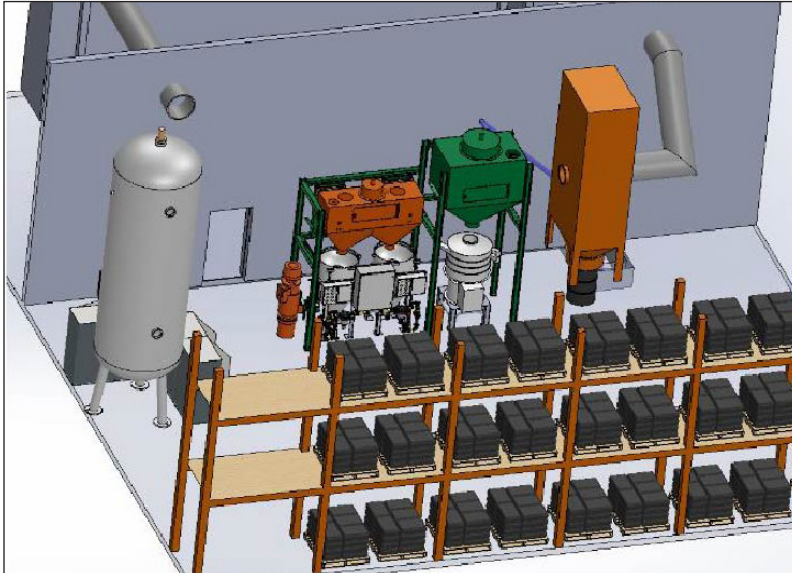


Typical Sponge-Jet Cleaning Room

1 EQUIPMENT ROOM

Sponge-Jet Feed Unit™, Sponge-Jet Recycler™, Feed Unit Hopper™, Recycler Hopper™, Dust Collector, Vacuum and Sponge Media™

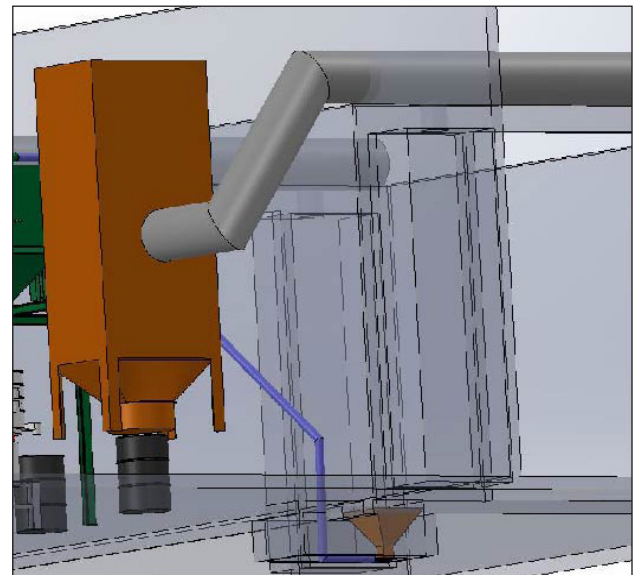
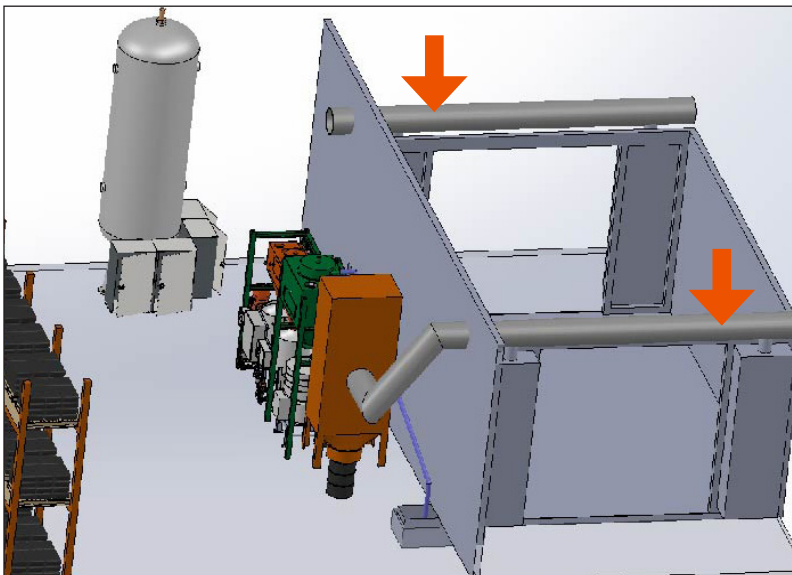
Sponge-Jet equipment and Sponge Media abrasive is in one small space



2 BLAST ROOM

Conditioned Air is often recycled from equipment room or other space.

Low bulk density of Sponge Media allows for efficient collection and transport to Recycler Hopper



SPONGEJET[®]
Dry, Low Dust Abrasive Blasting Technology

+1-603-610-7950 / www.spongejet.com

©2018 Sponge-Jet, Inc. All rights reserved.